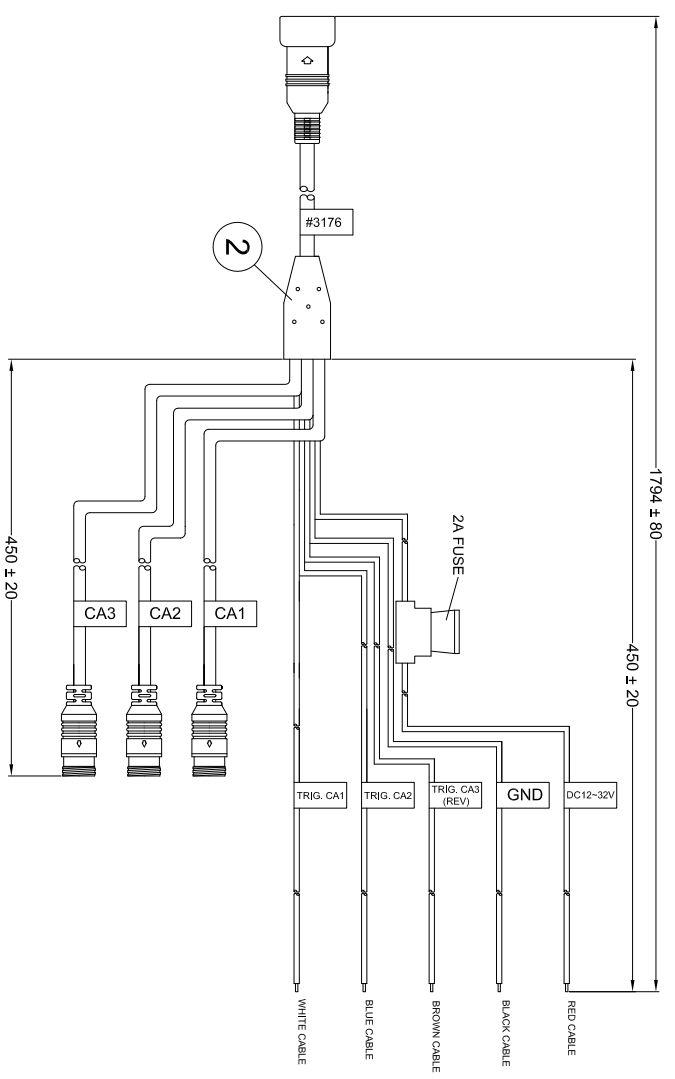
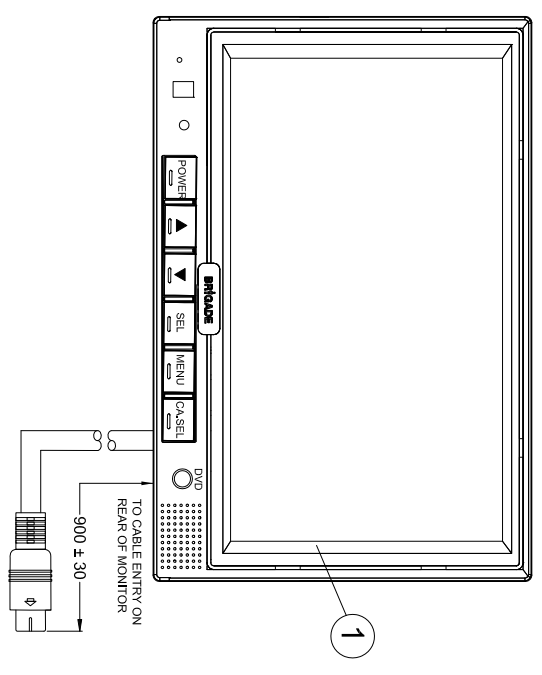


ITEM	STOCK CODE	QTY	DESCRIPTION
1	(#3194)	1	VBV-770BM M MONITOR
2	(#3176)	1	VBV-7X0BM CA CABLE ADAPTER
3	(#3195)	1	VBV-770BM SS SUNSHIELD (NOT SHOWN)
4	(#3148A)	1	BMM-015 (NOT SHOWN)
5	(#3196)	1	BMM-017 (NOT SHOWN)
6	(#3183)	1	AC-024 (NOT SHOWN)
7	(#3184)	1	VBV-7X0BM RT (NOT SHOWN)
8	(#3197)	1	VBV-770BM IG (NOT SHOWN)
9	(#3181)	1	VBV-770BM RC (NOT SHOWN)
10	(#3198)	1	AC-027 (NOT SHOWN)
11	(#3199)	1	BMM-018 (NOT SHOWN)



**NOTES:**  
 DIMENSIONS IN MM.  
 REFER TO COMPONENT DRAWINGS FOR COMPONENT DETAIL.  
 REFER TO COMPONENT PRODUCT SPEC FOR PRODUCT SPECIFICATIONS.

PROPRIETARY NOTICE  
 THIS DESIGN AND TECHNICAL INFORMATION APPEARING ON THIS DRAWING IS THE PROPERTY OF BRIGADE ELECTRONICS PLC, AND IS DISCLOSED IN CONFIDENCE. IT IS NOT TO BE COPIED, REPRODUCED, REVEALED TO OR APPROPRIATE BY OTHERS, EITHER IN WHOLE OR IN PART WITHOUT THE EXPRESS WRITTEN CONSENT OF BRIGADE ELECTRONICS PLC.

Item#	Quantity	Title/Name, designation, material, dimension etc	Article No./Reference
Designed by	MOUTIER	Checked by	DKERAN
Approved by	SMATTERS	Date	07/10/2009
BRIGADE ELECTRONICS		Filename	VBV-770BM (#2584)
		Scale	N/A
		Edition	A
		Sheet	1/1